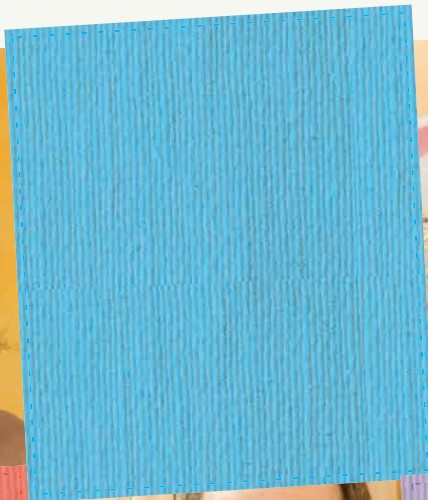




**JANOME**

SEWING MACHINE  
ACCESSORIES



# Janome Sewing Machine Compatibility Quick Reference Guide

Use this quick reference guide to determine compatibility of an accessory with your Janome sewing machine.



**A**  
Memory Craft 11000 /  
Memory Craft 11000S Special Edition



**B**  
Memory Craft Embroidery models  
\* Sewing accessories not available for embroidery machines.



**C**  
Memory Craft models  
with AcuFeed system  
(7 mm max. width)



**D**  
Memory Craft computer models  
(7 mm max. width)



**E**  
Top-loading models  
(6.5-7 mm max. width)



**F**  
Top-loading models  
(5 mm max. width)



**G**  
Front-loading models



**H**  
Overlockers  
\*excl models 203,888



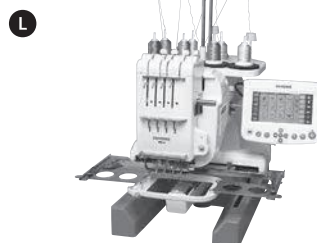
**I**  
Cover stitch machines



**J**  
High speed machines



**K**  
Needle punching machines



**L**  
Multi-needle embroidery machines



**M**  
Combined overlock and  
cover stitch machines



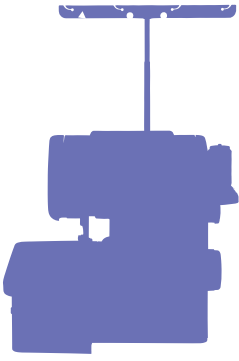
**N**  
Memory Craft Embroidery models  
with AcuFeed system  
(9 mm max. width)



**O**  
Memory Craft Embroidery models  
(9 mm max. width)



**P**  
Memory Craft models  
with AcuFeed system  
(9 mm max. width)



## OVERLOCKER ACCESSORIES

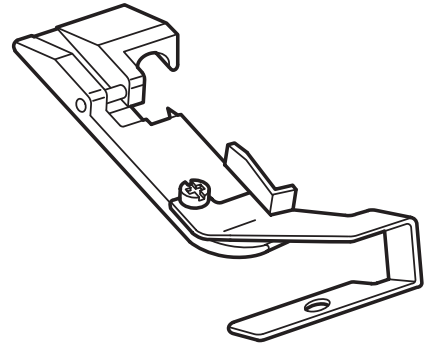
Janome overlockers are known for their ease of use and beautiful serging results. Specialized overlocker feet and accessories are designed to give you the effect you want even on stretchy and thin fabrics.



### CORDING FOOT (B)



Used in conjunction with the narrow hem, the cording foot B allows you to insert decorative cording as you stitch. This will give fine beautiful finished edges to table and other linens.



202-035-006

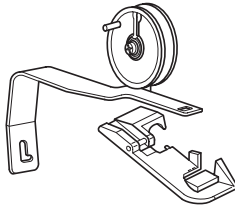
H



## TAPING FOOT WITH REEL



This attachment consists of a taping foot and a tape reel and is useful when sewing garments in knit or stretch fabric. It will help to feed seam binding tape when sewing shoulder seams and armholes to prevent stretching in these areas.



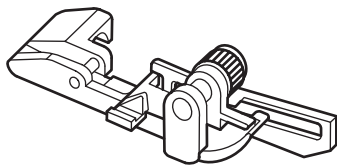
202-033-004 H\*1

\*1 excl. 234, 234D

## BLIND STITCH FOOT



Blind hemming is never an easy technique and demands practice and patience. It is possible to use your overlocker to blind hem and the blind stitch foot is equipped with a guide to help keep your stitching straight.

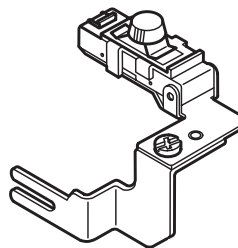


202-040-004 H

## ELASTIC GATHERING ATTACHMENT



Stitching on elastic can sometimes be a little tricky especially when you have to stretch your elastic to size. The elastic foot helps make this technique a little easier to handle.



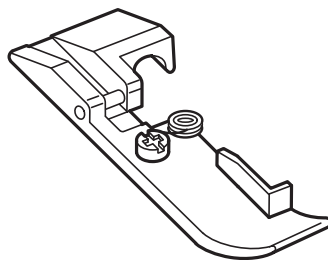
202-037-008 H\*

\* excl. 134D, 234, 234D, 534D





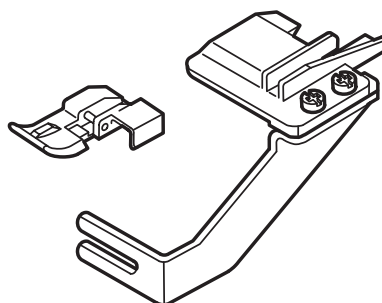
### CORDING FOOT (A)



With the rolled hem facility on your machine you can make great use of the cording foot A. This foot is ideal for bridal and evening wear and allows you to insert fine fishing line while rolling the edge of your material giving you a beautiful firm but flexible finish.

202-034-005	H
-------------	---

### BEADING FOOT

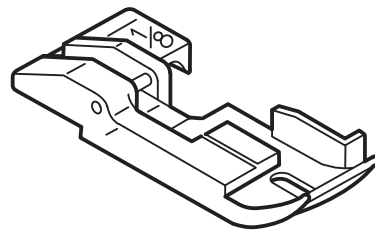


The beading attachment comprises a special sewing foot and guide enabling you to sew strung beads onto the edge of your fabric. Especially attractive for bridal wear.

202-041-005	H*1
-------------	-----

\*1 excl. 134D, 234, 234D, 534D

## PIPING FEET



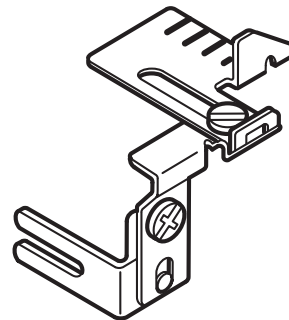
If ready made piping is not available or if you just want to make your own, the piping foot is ideal, making the task quick and easy. The piping foot is available in two sizes: 1/8 inch and 3/16 inch.

SET OF TWO FEET (1/8 inch and 3/16 inch)

202-039-000	H *
-------------	-----

\*3/16 INCH FOOT NOT COMPATIBLE WITH 134D, 234, 234D, 534D

## CLOTH GUIDE

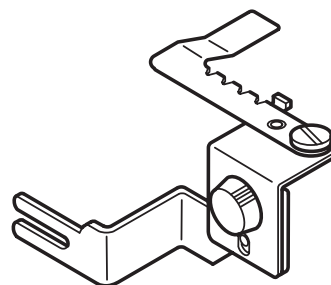


As its name suggests, this guide helps keep your seams straight as you sew. Especially useful on flatlock seams and other seams where the knife is lowered.

202-038-009	H *
-------------	-----

\* excl. 134D, 234, 234D, 534D

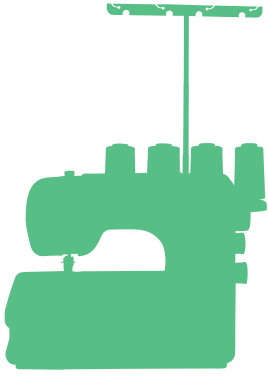
## GATHERING ATTACHMENT



This attachment creates wonderful even gathers. Especially useful when sewing large amounts of fabric, i.e. bed linens and bridal gowns. With the help of this super attachment you can also gather and sew onto a flat piece of fabric in one easy operation.

202-036-007	H *
-------------	-----

\* excl. 134D, 234, 234D, 534D

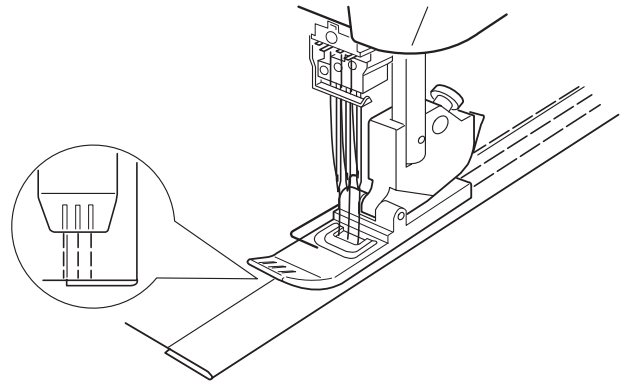


## COVER STITCH MACHINE ACCESSORIES

Janome has developed a number of accessories to use with the CoverPro series of cover stitch machines. These accessories make it even easier to create beautiful garments from knits and other stretch fabrics.



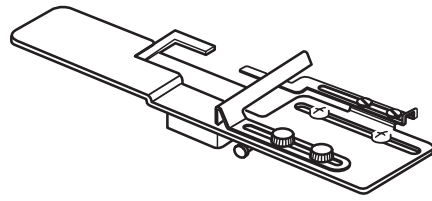
### CLEAR VIEW COVER STITCH FOOT



The clear view foot gives you a better view of what you are sewing. It is especially useful for decorative topstitching and can also be used with other attachments such as the hemming guide to match up the end of a hem seam with its start for a beautiful finish. Handy markings on the front edge of the foot correspond with needles for perfect stitch alignment.

for 3 needles	795-818-107	I
for 2 needles	795-821-103	I

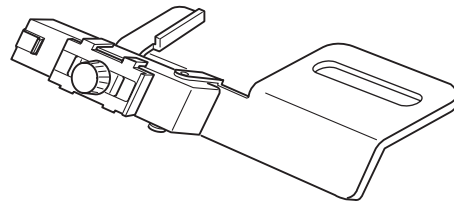
## HEM GUIDE



The hemming guide folds over a consistent width of fabric for you, making it easy to form hems, cuffs and other finished edges. When sewing the hem of a tubular item such as a skirt, you can press the release button as you near the finish to release the guide and then finish the rest of the hem.

795-839-104		I
-------------	--	---

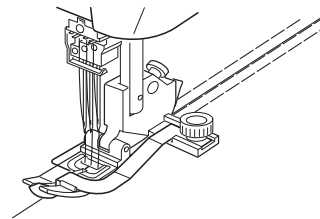
## ELASTIC GATHERING ATTACHMENT



The elastic gathering attachment allows easy attachment of elastic tape for waists and cuffs, which is especially useful for making undergarments and children's clothing. The wide workspace of the CoverPro means you can even add a bit of elastic in the middle of a garment, for example, to the waist of a dress.

narrow (6 - 8.5 mm)	795-816-105		I
wide (9 - 13.5 mm)	795-817-106		I

## CENTER GUIDE FOOT



The center guide foot is used for lining up the center of a two or three-needle stitch with a previously sewn seam. This attachment is especially useful on sportswear and allows you to tack down already sewn seams, give extra strength to seams that come under strain or simply give a finished decorative effect.

for 3 needles	795-819-108		I
for 2 needles	795-820-102		I

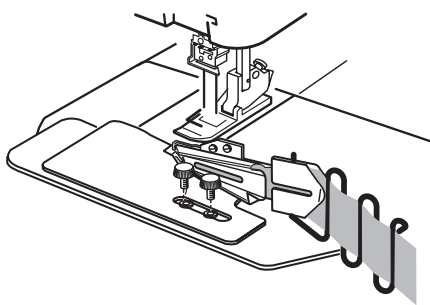


## TAPE BINDER

The tape binder is used for finishing and covering the raw edges of stretch fabrics. The binder folds the fabric you wish to use as tape around the raw edge as you sew, allowing you to make beautifully finished necks and arm holes and bind any raw edge with ease.



for 3 needles (32 mm/8 mm)	795-838-103	I
for 3 needles (42 mm/12 mm)	795-844-009	I
for 2 needles (32 mm/8 mm)	795-840-108	I
for 2 needles (42 mm/12 mm)	795-843-008	I



Insert the fabric to be used as tape through the tape guide.

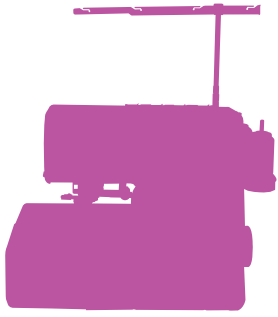


Guide the tape through the tape guide by gently pulling the end with the tip of the tweezers.



Pull out the end while using the tweezers tip to help insert the tape between the upper and lower guides at the end of the tube, and then slide the tape under the presser foot.



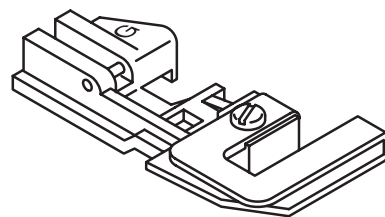


## PROFESSIONAL OVERLOCK AND COVER STITCH MACHINE ACCESSORIES

Ready to wear details and decorative accents are easily duplicable with Janome's combined overlock and cover stitch machine accessory range. Create the look you want the way you want it.



### GATHERING FOOT

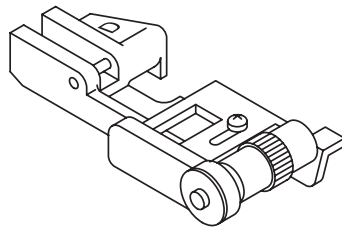
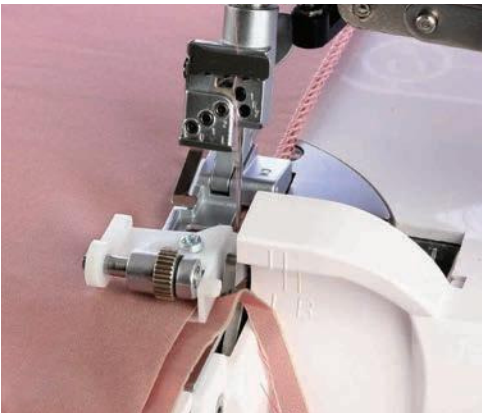


With the gathering foot it's easy to create the gather you want. The bottom fabric is gathered, seamed and overcast to a flat top fabric all in one easy operation.

200-807-104

M

## BLIND STITCH FOOT

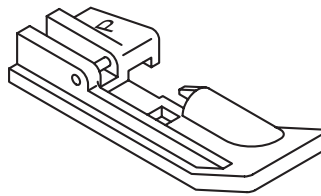


The adjustable guide on the blind stitch foot ensures that any weight of fabric is trimmed, overlocked and invisibly hemmed in one quick step. Change the stitch and it becomes a wonderful guide for decorative pintucks, lacy fagoting or flatlocking as seen in ready to wear.

200-806-103

M

## BEADING FOOT



Beaded trims add that special touch to any project. Deep grooves on the bottom of the pearl foot guide strands of pearls or beads perfectly into place and are secured with a flatlock stitch.

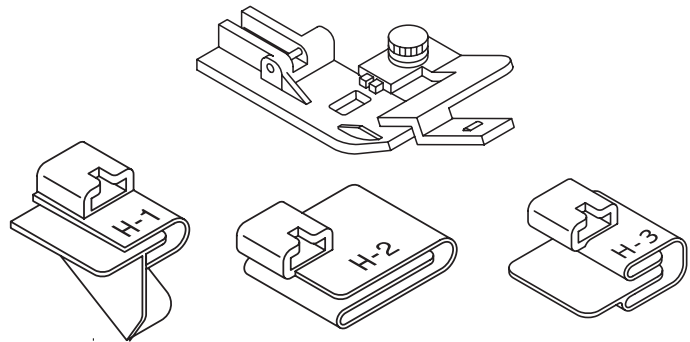
200-809-106

M





## COVER HEM FOOT, LACE ATTACHMENT, HEM & WRAPPED EDGE GUIDES



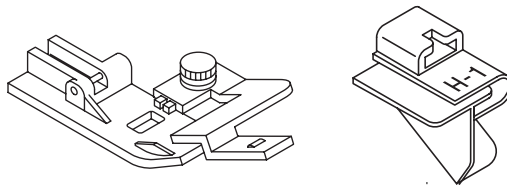
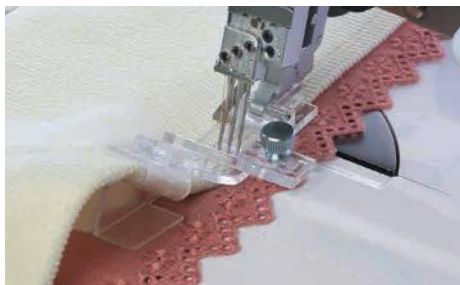
This set will save you a lot of time and trouble by making light work of hems. It offers three different ways to finish the edges of fabric, whether it's making a basic hem, decorating a hem with lace or creating a bias tape finish. Use for a multitude of projects.

200-801-407

M

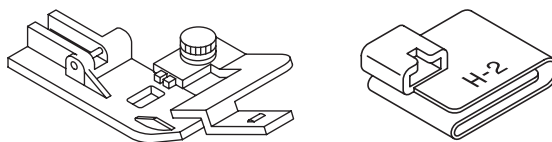
(coverhem only)

### COVER HEM FOOT AND LACE ATTACHMENT



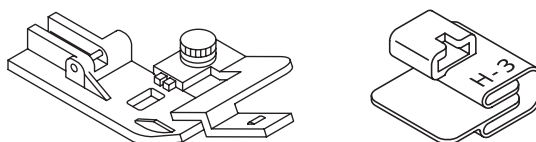
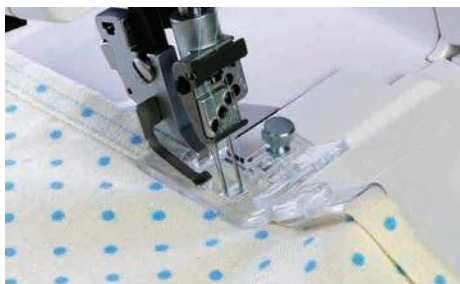
Efficient and clever, this guide folds perfect 6 mm (1/4") edges. At the same moment it's hemming, it attaches lace or trim placed underneath. Use with the cover hem foot.

### COVER HEM FOOT AND HEM GUIDE



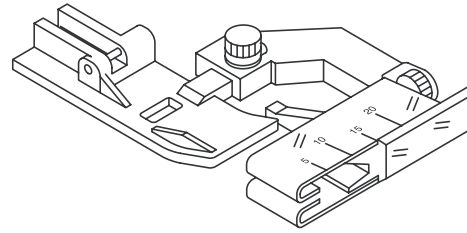
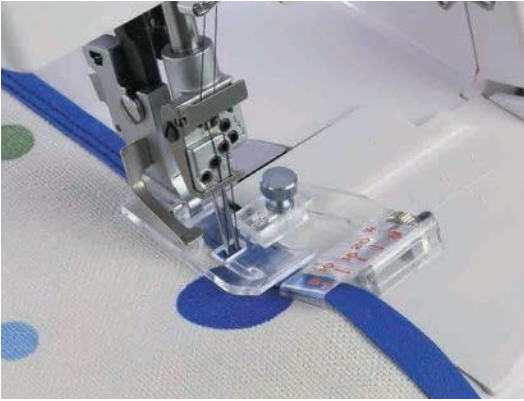
Hem edges evenly without measuring, pinning or pressing. Simply insert the fabric and the guide automatically folds and creates a 2.5 cm (1") hem. Use with the cover hem foot.

### COVER HEM FOOT WRAPPED EDGE GUIDE



This guide creates the look of bias tape. In addition, it also attaches pre-made bias tape. Hem edges evenly without measuring, pinning or pressing and duplicate ready-to-wear details easily.

## BIAS TAPE FOOT

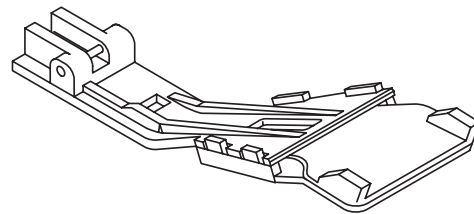
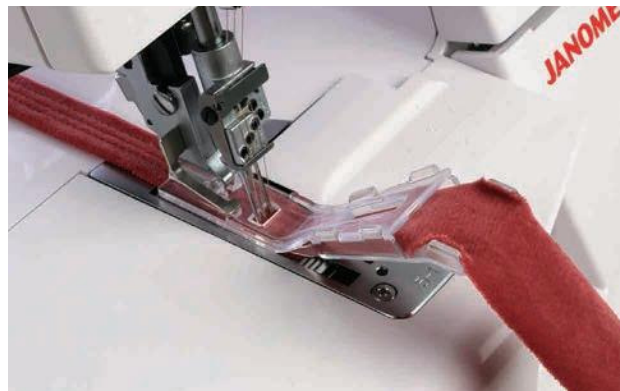


This adjustable foot allows you to attach 10 mm to 40 mm wide bias tape. Creating the look you want has never been easier.

200-810-100	M
-------------	---



## BELT LOOP FOOT



Easily duplicate the belt loops found in the garment industry using a wide or triple cover hem stitch. This foot automatically folds under bias strip edges for belt loops, decorative accents, button loops, narrow straps, etc. The possibilities are limited only by your imagination.

200-808-105	M
-------------	---

(coverhem only)